



The Stretch Wrapping Experts

## PHOENIX PHPA 2150 AUTOMATIC TURNTABLE MACHINE SPECIFICATIONS

### PERFORMANCE

Production Speed	Up to 40 pallets per hour
Maximum Load Size	52" x 52" x 80" load size (74" Diagonal)
Maximum Load Weight	5000 lbs (2267kg)

### LOAD HANDLING

Turntable Speed (Variable)	15 RPM
Turntable Base	7x high capacity table support casters

### SERVICE REQUIREMENTS

Electric Service Requirements	120 VAC / 1 PH / 60 HZ
Pneumatic Requirements	3 CFM @80 PSI

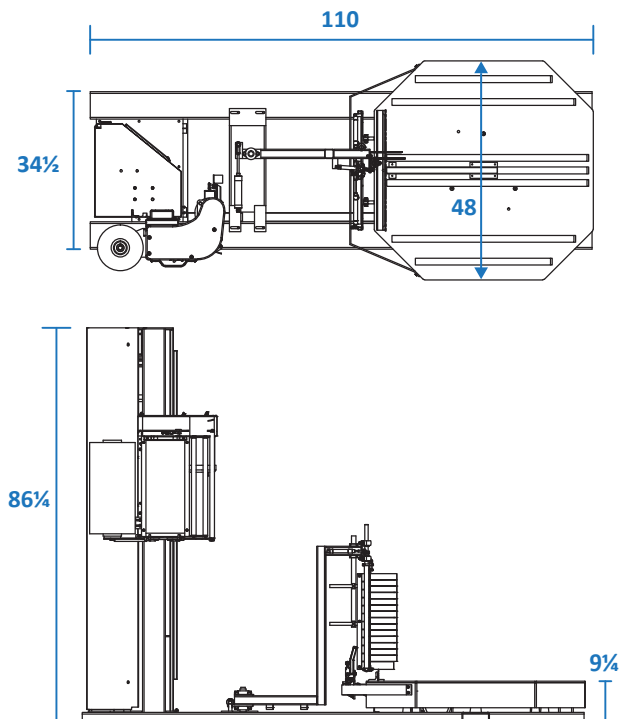
### WARRANTY

5 Year Warranty  
Lifetime warranty on the pre-stretch compound carriage rollers

### The Phoenix 2150 Series Advantage

If you are looking for a portable, safe, reliable and easy to operate automatic high profile stretch wrapper, the PHPA-2150 is the best choice for your packaging application. While it can be used as a stationary wrapping station, the PHPA-2150 offers the flexibility of being **forklift portable from the front and the back**, so it can be easily moved around your warehouse where or when you need it. Operating the wrapper is very simple: The PHPA-2150 is a fully automatic stretch wrapper, so you just need to place the load on the table and pull the cord, the Phoenix PHPA-2150 wrapper will do the rest.

Please visit [www.phoenixwrappers.com](http://www.phoenixwrappers.com) for more detailed information about this machine model and all its available options.



For more information call (514) 956-1525 or visit us at [www.phoenixwrappers.com](http://www.phoenixwrappers.com)